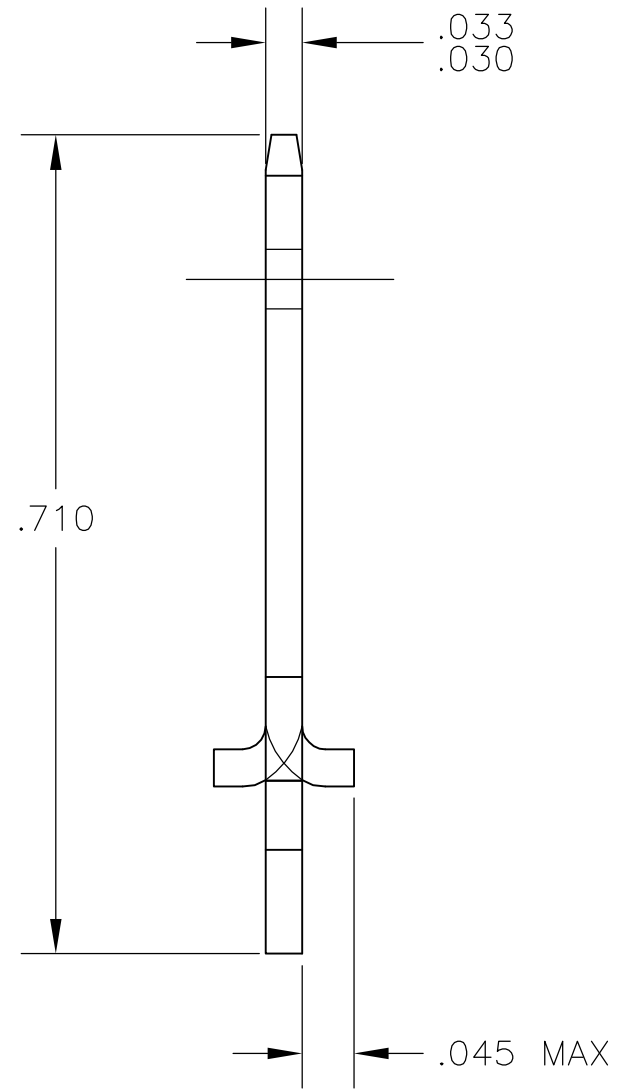
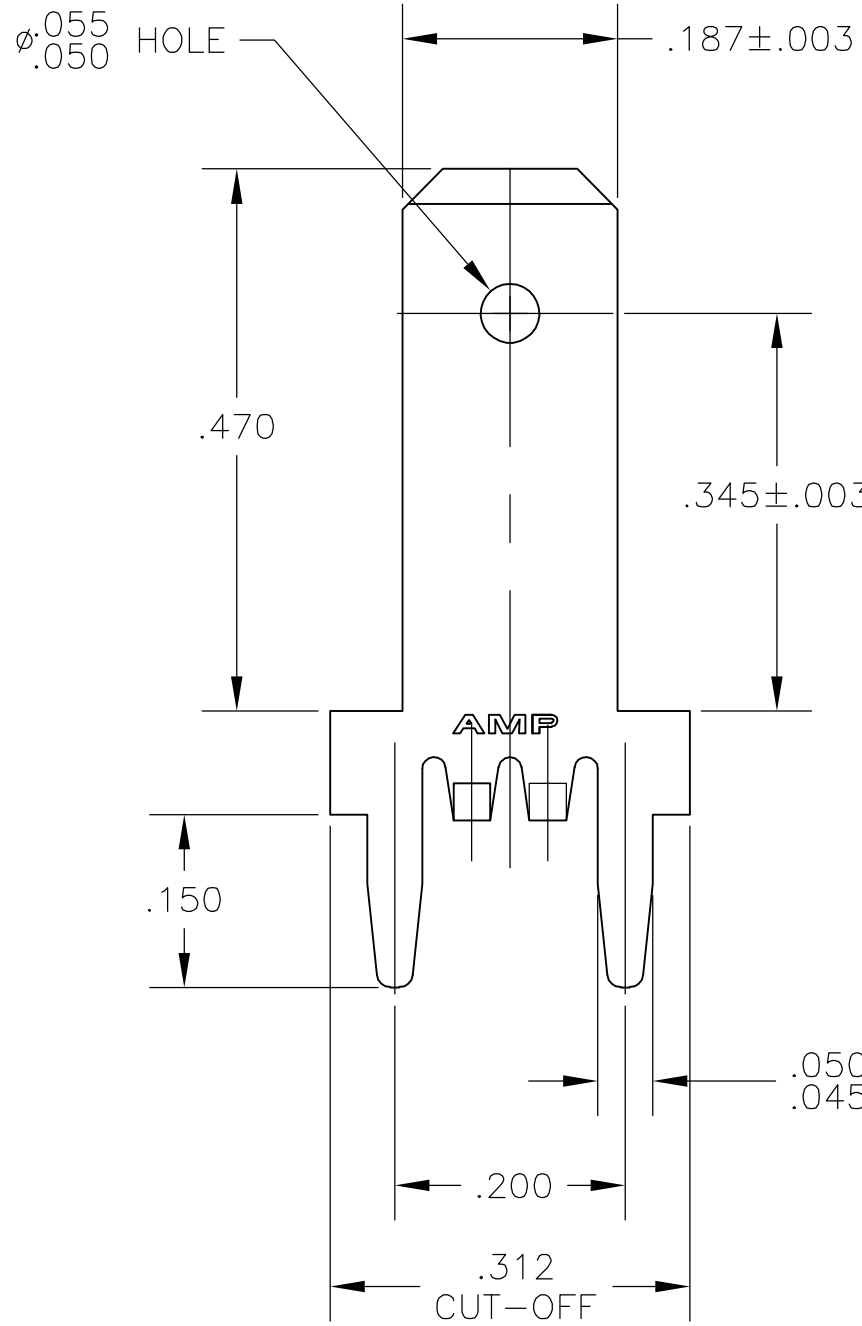
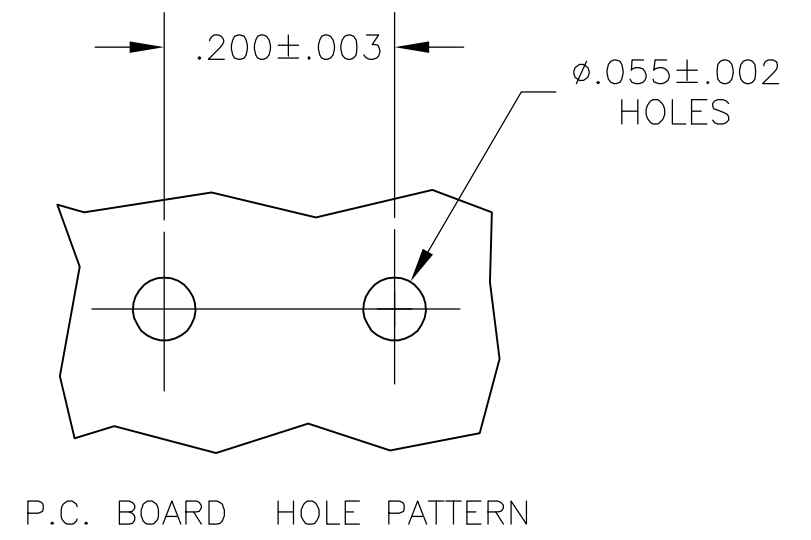


THIS DRAWING IS UNPUBLISHED. RELEASED FOR PUBLICATION  
 © COPYRIGHT BY TYCO ELECTRONICS CORPORATION. ALL RIGHTS RESERVED.

LOC	DIST	REVISIONS					
AF	50	P	LTR	DESCRIPTION	DATE	DWN	APVD
			D	REV PER ECR-06-001928	24APR06	HMR	KR



- 1 CONTINUOUS STRIP ON REELS.
- 2 TIN PLATE .000150 MIN OVER .000100 MIN THK COPPER OR TIN PLATE .000150 MIN OVER .000050 MIN THK NICKEL.



1217124-1  
PART NO.

THIS DRAWING IS A CONTROLLED DOCUMENT.		DWN	JR RUTH	23MAR01	Tyco Electronics Corporation Harrisburg, PA 17105-3608		
DIMENSIONS: INCHES		CHK	MS FEHER	23MAR01			
TOLERANCES UNLESS OTHERWISE SPECIFIED:		APVD	N DEIBERT	23MAR01	TAB, FASTON, P.C.BOARD		
0 PLC ± - 1 PLC ± - 2 PLC ± .010 3 PLC ± - 4 PLC ± - ANGLES ± -		PRODUCT SPEC		4.75 [.187]			RESTRICTED TO
MATERIAL		APPLICATION SPEC		SIZE			RESTRICTED TO
082 BRASS		FINISH		CAGE CODE		DRAWING NO	RESTRICTED TO
		2		A3 00779		C-1217124	RESTRICTED TO
CUSTOMER DRAWING				SCALE		SHEET	REV
				6:1		1 OF 1	D